

www.CARYSIL.com



Scan the QR code



May 2023

Email: info@carysil.com | Follow us:  

 "We at your service 24x7"  
**1800 12312 8833**

Download Carysil Service Mobile App:  

# CARYSIL

Lifestyle Sinks & Built-in Appliances

Disclaimer :  
• Product shown here is only for demonstration purpose, actual product may vary from the product as shown in the catalogue. • Prices are subject to change without any prior intimation. • Specification of the product may change without any prior intimation. • All the test/performance are according to standard condition. • we are not providing post sales Service-24x7.



# CHIMNEYS



- Heat Auto Clean Technology
- Energy Saving
- Motion Sensor
- Oil Collector
- Low Noise Level
- 4<sup>th</sup> Generation Thermal PET Film with PTC Function

Silencio



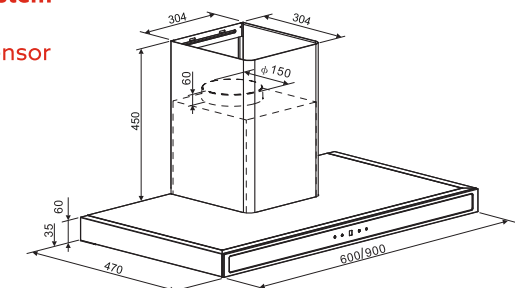
## Silencio Chimney

Silencio



- BLDC Silent Motor
- Aerodynamic Air intake Filter less System
- Energy Saving
- 9 speed Touch Screen With Motion Sensor
- 1350 M<sup>3</sup>/hr
- Perimetric Suction in Chimney
- Heat Auto Clean
- 1x3.0 W LED Lamp
- 150 mm outlet
- PDCA Metal Housing with Double layer Blower

Size: 60/90 cm



MRP ₹:

60 cm 34,990/-  
90 cm 39,990/-





Milan

## Energy Saving Chimney

Rome

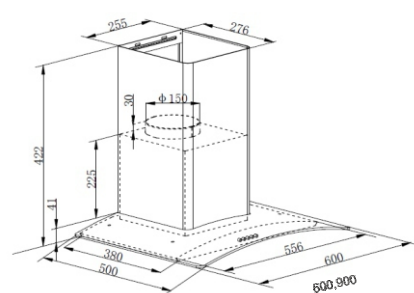


**A** Energy Class

**BLDC Silent Motor**  
**Energy Saving**  
1100 M<sup>3</sup>/hr  
2x1.5 W LED Lamp  
3 Speed Touch Screen  
Baffle Filter

MRP ₹: Baffle  
60 cm: **28,300/-**  
75 cm: **30,200/-**  
90 cm: **31,000/-**

**Size: 60/75/90 cm**



Milan

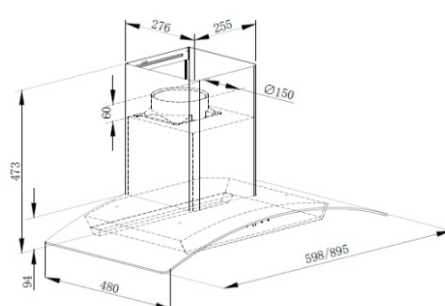


**A** Energy Class

**BLDC Silent Motor**  
**Motion Sensor**  
**Energy Saving**  
**Heat Auto Clean**  
1200 M<sup>3</sup>/hr  
9 speed Touch Switch  
1 x 1.5 W LED lamp  
Filter less  
Oil Collector

MRP ₹:  
60 cm: **32,200/-**  
75 cm: **34,500/-**  
90 cm: **35,600/-**

**Size: 60/75/90 cm**



Berlin

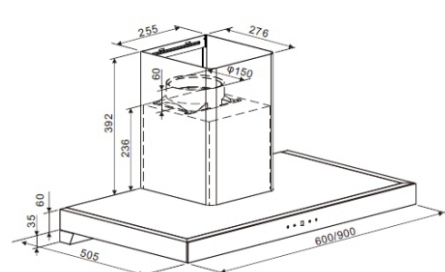


**A** Energy Class

**BLDC Silent Motor**  
**Motion Sensor**  
**Energy Saving**  
**Heat Auto Clean**  
1200 M<sup>3</sup>/hr  
9 speed Touch Switch  
2 x 1.5 W LED lamp  
Oil Collector  
Baffle Filter

MRP ₹: Baffle  
60 cm: **35,600/-**  
90 cm: **40,800/-**

**Size: 60/90 cm**



Slice

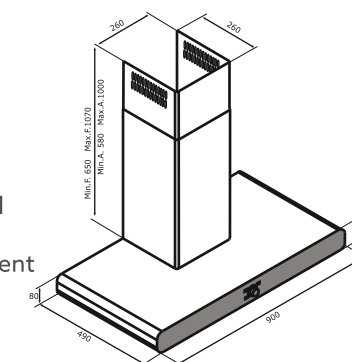
## Tek Chimney

Slim I-Drive



-made in Italy-

Designer Wall mounted  
Stainless steel with black glass  
90 cm  
1000 M<sup>3</sup>/hr (EBM motor)  
Control:  
I-Drive With an intuitive rotation Control/  
Touch Control - 9 speeds (7+2 intensive), Grease and  
charcoal filter control, heat sensor for  
automatic functioning, timer, light intensity adjustment  
2x2.2W Led Lamps  
Professional filters.  
Optional Charcoal filters for recirculation mode.  
Odour control & soft Lighting  
Product Dimension: 900 x 490 x 580-1000 mm  
**MRP ₹: 69,900/-**



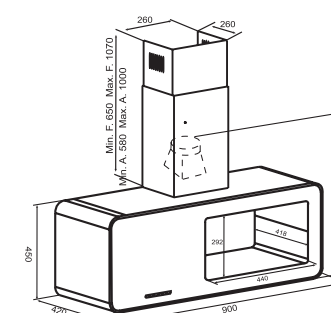
Slice



-made in Italy-

90 cm  
Stainless steel with Black or White Glass  
800 M<sup>3</sup>/hr (Perimeter aspiration)  
Touch control  
3x3,5W Led Lamp  
4 speeds (3+1 intensive) with 5/10/20 min. timer,  
Heat sensor for automatic Functioning,  
Washable metallic grease filters.  
Charcoal filters for recirculation mode.  
Odour control & soft Lighting  
Product Dimension: 900 x 420 x 580-1000 mm  
**MRP ₹: 1,55,900/-**

**Size: 90 cm**





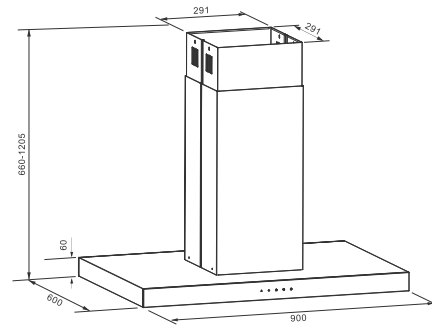
## Island Chimney

Alice 90



**Island Chimney**  
**SS/Black**  
**Filter: Baffle filter**  
 Two side Touch Control Panel  
 1350 M<sup>3</sup>/hr  
 Double duct cover  
 4 x 1.5W LED Lamp  
 Noise level: 58  
 150mm Outlet  
 1.5 M Plastic Pipe  
**MRP ₹:**  
**SS : 42,000/-**  
**Black: 43,100/-**

**Size: 90 cm**



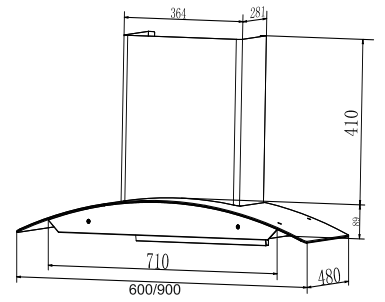
## Wall Mounted Chimney

Van



**Angle Filter System**  
**Oil Collector**  
**Heat auto Clean**  
**Motion sensor**  
 Inox body + Black tempered glass  
 1350 M<sup>3</sup>/hr  
 Filter: baffle Filter  
 3 speed  
 2 x 1.5 W Led Lamps  
 150 mm outlet with 2 m pipe  
**MRP ₹:**  
**60 cm: 35,800/-**  
**90 cm: 39,900/-**

**Size: 60/90 cm**



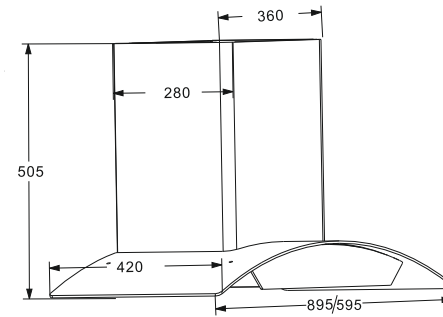
## Wall Mounted Chimney

Kia FL



**Filterless System**  
**Oil Collector**  
**Heat auto Clean**  
**Motion sensor**  
 Inox body + Black tempered glass  
 1400 M<sup>3</sup>/hr  
 Filter less Chimney  
 3 speed  
 2 x 1.5 W Led Lamps  
 150 mm outlet with 2 m pipe  
**MRP ₹:**  
**60 cm: 28,300/-**  
**75 cm: 32,200/-**  
**90 cm: 32,900/-**

**Size: 60/75/90 cm**

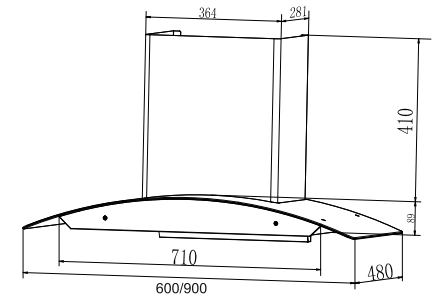


Sam



**Angle Filter System**  
**Oil Collector**  
**Heat auto Clean**  
 Inox body + Black tempered glass  
 1200 M<sup>3</sup>/hr  
 Filter: baffle Filter  
 3 speed  
 2 x 1.5 W Led Lamps  
 150 mm outlet with 2 m pipe  
**MRP ₹:**  
**60 cm: 29,090/-**  
**90 cm: 32,390/-**

**Size: 60/90 cm**

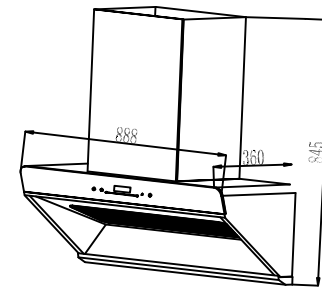


Sand



**Filter less**  
**SS Oil collector**  
**Auto increase suction base on cooking**  
 Black Body with silver corner finish  
 Touch Screen with Air flow display  
 8 Speed  
 1700 M<sup>3</sup>/hr  
 Auto adjustable air flow  
 Metal Housing with Metal Blower  
 SS oil collector  
 2\*1.5 w Led Lamps  
**MRP ₹:**  
**90 cm: 61,000/-**

**Size: 90 cm**

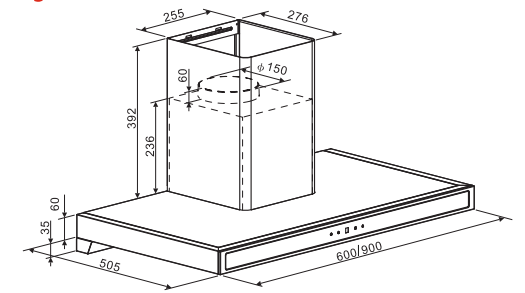


Mint



**Black body + Black tempered front glass**  
**3 speeds Motion touch control**  
**Metal blower with auto Heat cleaning**  
 1 x 4 W LED strip  
 2/3 Baffle filters  
 1350 M<sup>3</sup>/hr  
 2M Aluminum exhaust pipe  
 Outlet 150mm  
**MRP ₹:**  
**60 cm: 33,300/-**  
**90 cm: 37,900/-**

**Size: 60/90 cm**

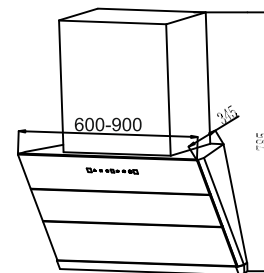


Miracle



**Filter less**  
**SS Oil collector**  
**Motion Sensor**  
**Door open by touch Screen**  
 Black Body & Black Glass  
 Metal Housing with Metal Blower  
 3 speed  
 1350 M<sup>3</sup>/hr  
 Heat Auto clean, Timer  
 2 x 1.5 W Led Lamps  
**MRP ₹:**  
**60 cm: 39,100/-**  
**90 cm: 44,800/-**

**Size: 60/90 cm**

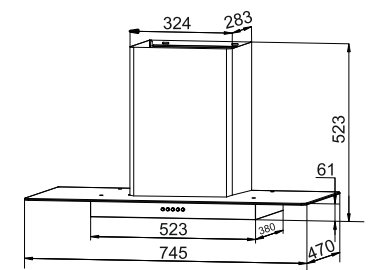


Gusto



**SS Body & top glass**  
**Touch screen**  
**Baffle filter**  
 Metal blower  
 1100 M<sup>3</sup>/hr  
 2 x 5 Aluminum filter  
 3 speed  
 2 x 1.5 W Led Lamps  
 2m Aluminum exhaust pipe  
 Oil collector  
**MRP ₹:**  
**60 cm: 18,390/-**  
**90 cm: 22,990/-**

**Size: 60/90 cm**

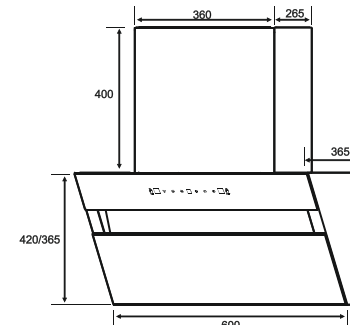


Vista



**Filter less**  
**SS Oil collector**  
**Motion Sensor**  
 Black Body & Black Glass  
 Metal Housing with Metal Blower  
 3 speed  
 1350 M<sup>3</sup>/hr  
 Heat Auto clean, Timer  
 2 x 1.5 W Led Lamps  
**MRP ₹:**  
**60 cm: 37,990/-**  
**75 cm: 38,990/-**  
**90 cm: 39,990/-**

**Size: 60/75/90 cm**

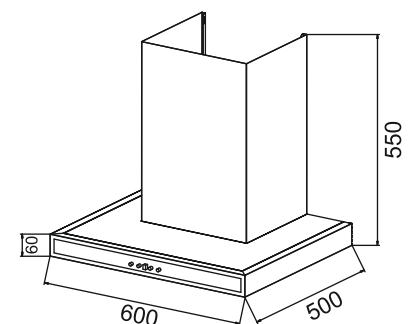


Elegant



**Invisible touch & invisible logo.**  
**Touch screen**  
**Baffle filter**  
**LED Lamp**  
 3 Speed  
 1000 M<sup>3</sup>/hr  
 Metal housing  
 150 mm outlet  
**MRP ₹:**  
**60 cm: 22,990/-**

**Size: 60 cm**



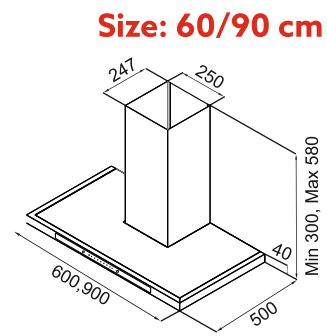


## Wall Mounted Chimney

Bella



**Black Body/SS Satin**  
**Filter: Baffle filter**  
**Motion Sensor**  
 1000 M<sup>3</sup>/hr  
 Heat auto clean with oil collector  
 3 speed metal housing with metal blower  
 2 x 1.5 LED lamp  
 150mm outlet  
**MRP ₹:**  
 SS 60 cm: **24,700/-**  
 SS 90 cm: **27,600/-**  
 Black 60 cm: **23,000/-**  
 Black 90 cm: **25,850/-**

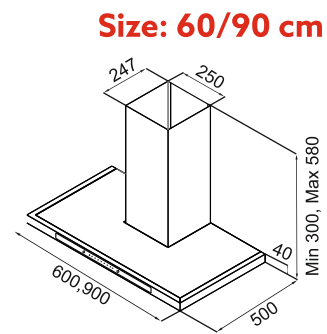


Size: 60/90 cm

Spark



**Full Inox/PVD + Front Glass**  
**Filter: Baffle filter**  
**Touch Control**  
 1000 M<sup>3</sup>/hr  
 Multi speed  
 2 x 1.5 LED lamp  
 150mm outlet  
**MRP ₹:**  
 60 cm: **17,800/-**  
 90 cm: **20,700/-**

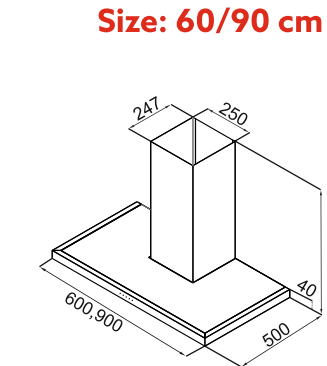


Size: 60/90 cm

Moonwalk



**LED lamp**  
**Baffle filter**  
 Inox  
 1100 M<sup>3</sup>/hr  
 3 speed  
 Push Button  
 LED lamp  
 150 mm outlet  
**MRP ₹:**  
 60- CF: **15,150/-**  
 60- BF: **16,450/-**  
 90- CF: **18,600/-**  
 90- BF: **19,850/-**

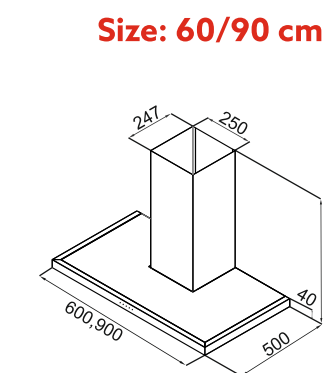


Size: 60/90 cm

Moonwalk



**LED lamp**  
**Baffle filter**  
 Black  
 1100 M<sup>3</sup>/hr  
 3 speed  
 Push Button  
 LED lamp  
 150 mm outlet  
**MRP ₹:**  
 Black 60- CF: **13,900/-**  
 Black 60- BF: **15,150/-**  
 Black 90- CF: **17,300/-**  
 Black 90- BF: **18,600/-**

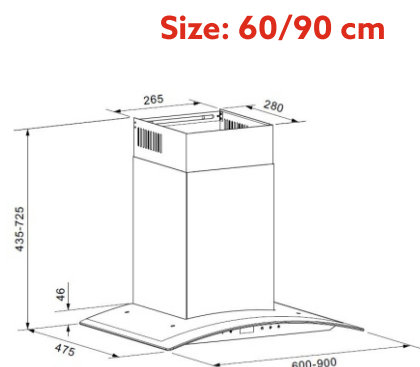


Size: 60/90 cm

Tekno



**Black Body**  
**Touch Screen**  
**Baffle Filter**  
**LED Lamp**  
 Metal housing  
 3 speed  
 1150 M<sup>3</sup>/hr  
 Timer function  
 1 x 500 mm black duct cover  
 Oil collector  
**MRP ₹:**  
 60 cm: **22,990/-**  
 90 cm: **24,790/-**



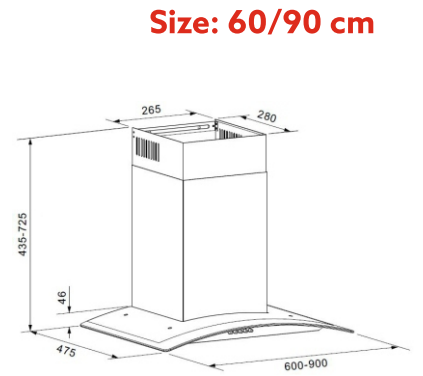
Size: 60/90 cm

## Wall Mounted Chimney

Rock

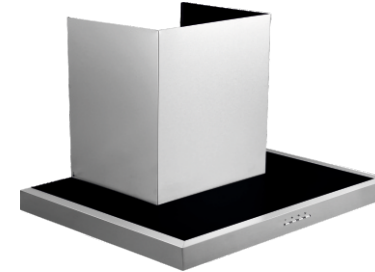


**Black Body**  
**Baffle Filter**  
**LED Lamp**  
 Push button  
 1150 M<sup>3</sup>/hr  
 Metal housing  
 3 speed  
 2 pcs baffle filter  
 1 x 500 mm duct cover  
 oil collector  
**MRP ₹:**  
 60 cm: **20,590/-**  
 90 cm: **22,290/-**

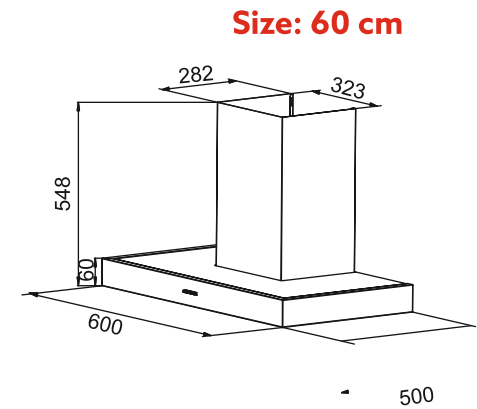


Size: 60/90 cm

Granedo

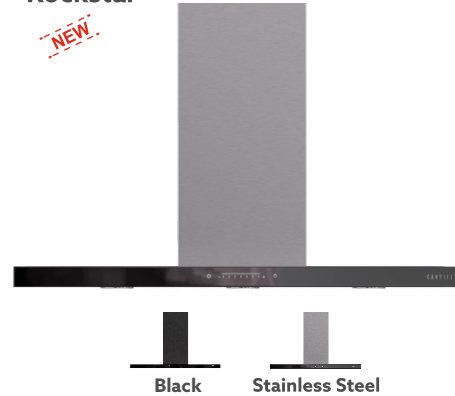


**Soft button Control**  
**Metal housing**  
**LED Lamp**  
 Inox + top glass  
 1000 m<sup>3</sup>/hr  
 3 speed  
 Baffle filter  
 150 mm outlet  
**MRP ₹:**  
 60 cm: **19,990/-**

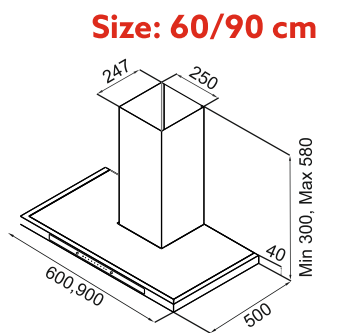


Size: 60 cm

Rockstar



**Full Inox/PVD + Front Glass**  
**Filter: Baffle filter**  
**Slider Touch Control**  
 1180 M<sup>3</sup>/hr  
 PDCA motor+4 way suction  
 Oil collector  
 Multi speed  
 LED lamp  
 150mm outlet  
**MRP ₹:**  
 SS 60 cm: **32,200/-**  
 SS 90 cm: **34,500/-**  
 Black 60 cm: **30,450/-**  
 Black 90 cm: **32,750/-**



Size: 60/90 cm



# Hobs



Tek Plus 75-3

## Hobs-Tek Plus

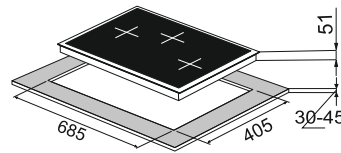
### Tek Plus 75-3



**Full Brass Burner**  
**Pan support with Heat Protector**  
**Designer Metal knob**  
 3 Burner (01 Big Multi,  
 01 Mini Multi, 01 Dual Ring Flame )  
 Battery operated ignition type  
 Bevelled Edge 8 mm Black tempered glass  
 Flame Failure Device  
 Product Dimension: 750 x 450 mm  
 Cutout Dimension : 685 x 405mm

**MRP ₹:**  
**75 cm: 34,990/-**

**Size: 75 cm**



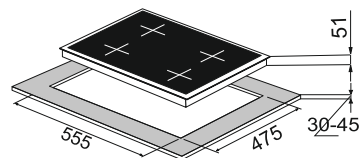
### Tek Plus 60-4



**Full Brass Burner**  
**Pan support with Heat Protector**  
**Designer Metal knob**  
 4 Burner (01 Big Multi,  
 01 Mini Multi  
 02 Mini Dual flame )  
 Battery operated ignition type  
 Bevelled Edge 8 mm Black tempered glass  
 Flame Failure Device  
 Product Dimension: 600 x 520 mm  
 Cutout Dimension : 555 x 475mm

**MRP ₹:**  
**60 cm: 38,990/-**

**Size: 60 cm**



## Hobs-Tek Plus

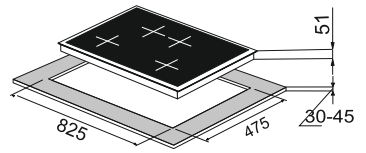
### Tek Plus 90-4



**Full Brass Burner**  
**Pan support with Heat Protector**  
**Designer Metal knob**  
 4 Burner (01 Big Multi,  
 01 Mini Multi  
 02 Mini Dual flame )  
 Battery operated ignition type  
 Bevelled Edge 8 mm Black tempered glass  
 Flame Failure Device  
 Product Dimension: 860 x 520 mm  
 Cutout Dimension : 825 x 475 mm

**MRP ₹:**  
**90 cm: 42,900/-**

**Size: 90 cm**



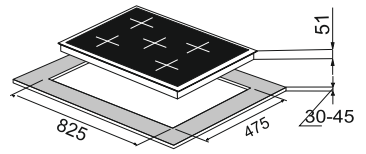
### Tek Plus 90-5



**Full Brass Burner**  
**Pan support with Heat Protector**  
**Designer Metal knob**  
 5 Burner (01 Big Multi,  
 01 Mini Multi  
 03 Mini Dual flame )  
 Battery operated ignition type  
 Bevelled Edge 8 mm Black tempered glass  
 Flame Failure Device  
 Product Dimension: 860 x 520 mm  
 Cutout Dimension : 825 x 475 mm

**MRP ₹:**  
**90 cm: 47,900/-**

**Size: 90 cm**



## Hobs- Pro

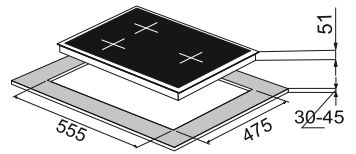
### Pro 60-3



**Brass Burner**  
**Pan support with Heat Protector**  
**Metal knob**  
 3 Burner (01 Big Multi,  
 01 Mini Multi  
 01 Mini Dual flame )  
 Battery operated ignition type  
 Black tempered glass (8mm thickness)  
 Product Dimension: 600 x 520 mm  
 Cutout Dimension : 555 x 475 mm

**MRP ₹:**  
**60 cm: 21,990/-**

**Size: 60 cm**



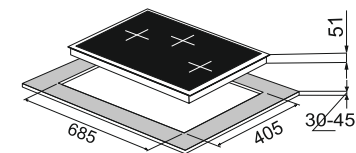
### Pro 75-3



**Brass Burner**  
**Pan support with Heat Protector**  
**Metal knob**  
 3 Burner (01 Big Multi,  
 01 Mini Multi, 01 Dual Ring Flame )  
 Battery operated ignition type  
 Black tempered glass (8mm thickness)  
 Product Dimension: 750 x 450 mm  
 Cutout Dimension : 685 x 405 mm

**MRP ₹:**  
**75 cm: 20,990/-**

**Size: 75 cm**



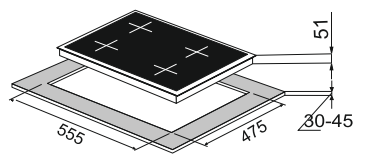
### Pro 60-4



**Brass Burner**  
**Pan support with Heat Protector**  
**Metal knob**  
 4 Burner (01 Big Triple,  
 01 Small Triple  
 02 Dual Flame )  
 Battery operated ignition type  
 Black tempered glass (8mm thickness)  
 Product Dimension: 600 x 520 mm  
 Cutout Dimension : 555 x 475 mm

**MRP ₹:**  
**60 cm: 24,490/-**

**Size: 60 cm**

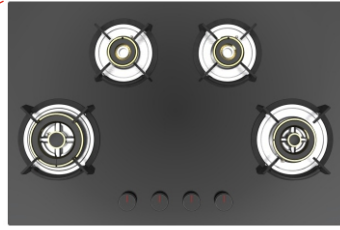




## Hobs- Pro

### Pro 78-4

NEW

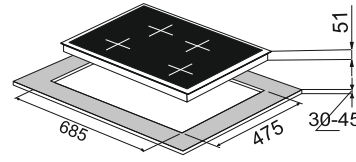


**Brass Burner**  
**Pan support with Heat Protector**  
**Metal knob**

4 Burner (01 Big Triple,  
01 Small Triple  
02 Dual Flame )  
Battery operated ignition type  
Black tempered glass (8mm thickness)  
Product Dimension: 780 x 520 mm  
Cutout Dimension : 685 x 475mm

MRP ₹:  
78 cm: **25,490/-**

**Size: 78 cm**



## Hobs-Brazzo

### Brazzo 78-3

NEW

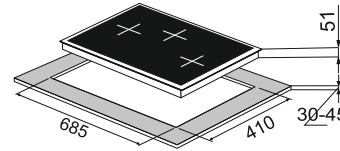


**Full Brass Burner**  
**Cast iron Pan support**  
**Metal knob**

Stainless Steel brush finish  
3 Burner (01 Big Multi,  
01 Mini Multi, 01 Dual Ring Flame )  
Battery operated ignition type  
Black tempered glass (8mm thickness)  
Product Dimension: 780 x 450 mm  
Cutout Dimension : 685 x 410 mm

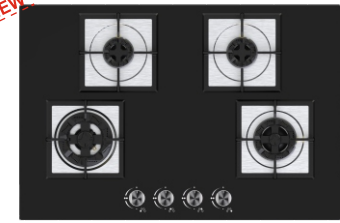
MRP ₹:  
78 cm: **29,990/-**

**Size: 78 cm**



### Brazzo 78-4

NEW

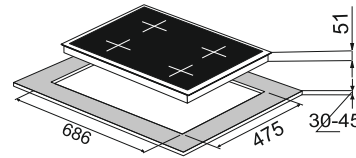


**Full Brass Burner**  
**Cast iron Pan support**  
**Metal knob**

Stainless Steel brush finish  
4 Burner (01 Big Multi,  
01 Mini Multi  
02 Mini high flame )  
Battery operated ignition type  
Black tempered glass (8mm thickness)  
Product Dimension: 780 x 520 mm  
Cutout Dimension : 686 x 475 mm

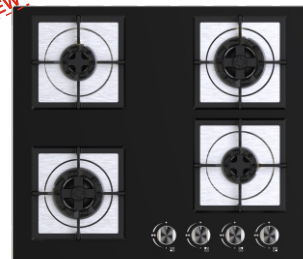
MRP ₹:  
78 cm: **33,990/-**

**Size: 78 cm**



### Brazzo 60-4

NEW

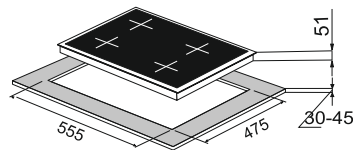


**Full Brass Burner**  
**Cast iron Pan support**  
**Metal knob**

Stainless Steel brush finish  
4 Burner (01 Big Multi,  
01 Mini Multi  
02 Mini high flame )  
Battery operated ignition type  
Black tempered glass (8mm thickness)  
Product Dimension: 600 x 525 mm  
Cutout Dimension : 555 x 475 mm

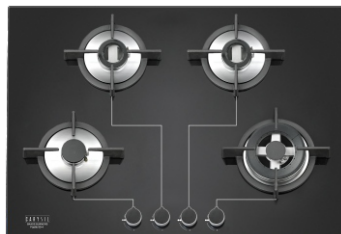
MRP ₹:  
60 cm: **31,990/-**

**Size: 60 cm**



## Hobs- Passilo

### Passilo 78-4

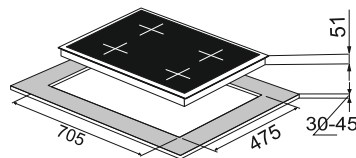


**High flame brass burner**  
**Cast iron Pan support**  
**Metal knob**

Under knob auto ignition  
4 Burner (01 Big Triple,  
01 Small Triple  
02 Dual Flame )  
Product Dimension: 820 x 520 mm  
Cutout Dimension : 705 x 475mm

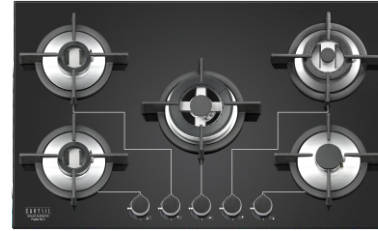
MRP ₹:  
78 cm: **28,090/-**

**Size: 78 cm**



## Hobs- Passilo

### Passilo 90-5

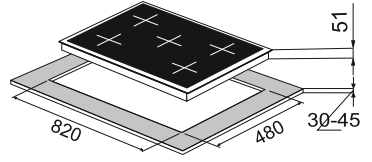


**High flame brass burner**  
**Cast iron Pan support**  
**Metal knob**

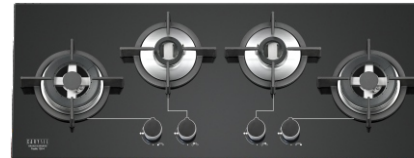
Under knob auto ignition  
5 Burner (01 Big Triple,  
01 Small Triple,  
02 Medium, 01 Small)  
Product Dimension: 865 x 520 mm  
Cutout Dimension : 820 x 480 mm

MRP ₹:  
90 cm: **31,690/-**

**Size: 90 cm**



### Passilo 100-4

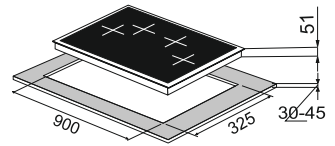


**High flame brass burner**  
**Cast iron Pan support**  
**Metal knob**

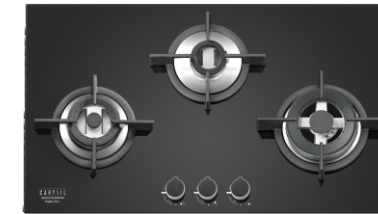
Under knob auto ignition  
4 Burner (02 Big Triple,  
02 Medium)  
Product Dimension: 1000 x 380 mm  
Cutout Dimension : 900 x 325 mm

MRP ₹:  
100 cm: **35,390/-**

**Size: 100 cm**



### Passilo 78-3

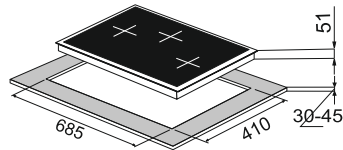


**High flame brass burner**  
**Cast iron Pan support**  
**Metal knob**

Under knob auto ignition  
3 Burner (01 Big Triple,  
01 Small Triple, 01 Dual Flame )  
Product Dimension: 760 X 430  
Cutout Dimension : 685 x 410 mm (R20)

MRP ₹:  
78 cm: **20,790/-**

**Size: 78 cm**



### Passilo 60-4

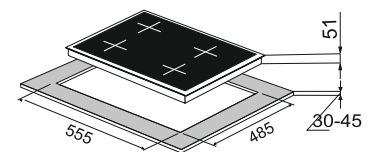


**High flame brass burner**  
**Cast iron Pan support**  
**Metal knob**

Under knob auto ignition  
4 Burner (01 Big Triple,  
01 Small Triple  
02 Dual Flame )  
Product Dimension: 595 x 525 mm  
Cutout Dimension : 555 x 485 mm

MRP ₹:  
60 cm: **23,190/-**

**Size: 60 cm**



## Tek Hobs

### Tek 85-3

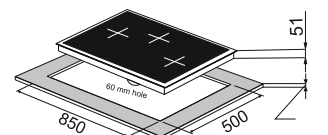


**High Flame Brass Burner**

3 Burner ( 02 Hi-tek big burner -5.0 kw  
1 Dual flame burner-2.0 kw)  
Flame Failure Device  
Square Cast iron Pan Support  
3D flame  
No need to cut Platform  
Product Dimension: 850mm x 500mm

MRP ₹: **32,990/-**

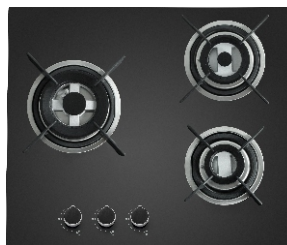
**Size: 85 cm**





## Hobs - Salsa

### Salsa 60-3

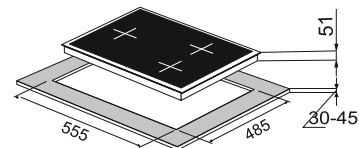


#### High flame brass burner Metal knob

08 mm toughened Glass  
3 brass burner  
01 Big triple ring burner  
01 small Triple ring burner, 01 dual ring burner  
Matt Enamel round Pan support  
Battery Operated ignition  
Product Dimension : 600 x 520 mm  
Cutout Dimension : 555 x 485 mm

MRP ₹:  
60 cm: **20,790/-**

Size: 60 cm



### Salsa 78-3

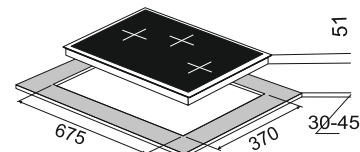


#### High flame brass burner Metal knob

3 Burner (01 Big Triple, 01 Small Triple, 01 Dual Flame)  
Matt Enamel Round Pan support  
Battery Operated ignition  
Product Dimension:  
760 X 430 mm  
Cutout Dimension : 675 x 370 mm (R20)

MRP ₹:  
78 cm: **19,490/-**

Size: 78 cm



### Salsa 60-4

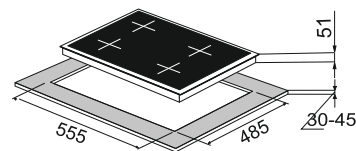


#### High flame brass burner Cast iron Pan support Metal knob

4 Burner (01 Big Triple, 1 Small Triple, 01 Dual Flame, 01 Small)  
Battery Operated ignition  
Product Dimension: 800 x 520 mm  
Cutout Dimension : 555 x 485 mm

MRP ₹:  
60 cm: **23,190/-**

Size: 60 cm



### Salsa 78-4

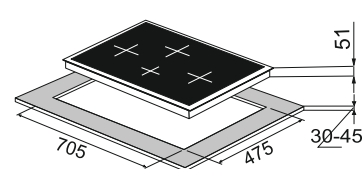


#### High flame brass burner Metal knob

8 mm toughened Glass  
04 brass burner  
01 Big triple ring burner  
01 small Triple ring burner  
01 dual ring burner, 01 Small burner  
Matt Enamel Round Pan support  
Battery Operated ignition  
Product Dimension : 780x 520 mm  
Cutout Dimension : 705 x 475 mm

MRP ₹:  
78 cm: **28,090/-**

Size: 78 cm



## Hobs - Kristall

### Kristall 78-3

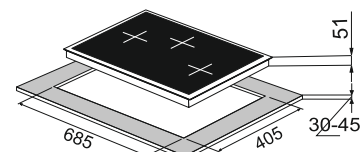


#### Kristal design brass burner Metal knob

High flame brass burner  
8 mm toughened Glass  
3 brass burner-02 Big Brass burner  
01 dual ring burner  
Matt Enamel round - Pan support  
Battery Operated ignition  
Product Dimension : 780x450 mm  
Cutout Dimension : 680 x 370 mm (R35)

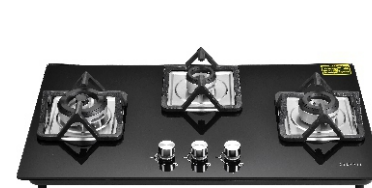
MRP ₹:  
78 cm: **20,790/-**

Size: 78 cm



## Hobs - Dims

### Dims 75-3

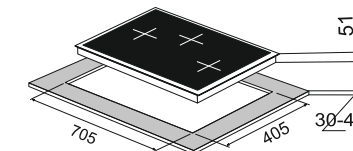


#### High Flame Brass Burner Metal Knob

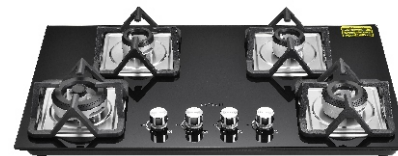
Burner Type: 3.0KW/ 1.5KW/ 2.0KW  
V-shape Square cast iron pan support  
Battery Operated ignition  
Drip Tray : Full-sealing Stainless Steel  
Dimension:760\*450\*26mm  
Installation Cutting Size: 733\*423(4R1)

MRP ₹:  
75 cm: **18,290/-**

Size: 75 cm



### Dims 75-4

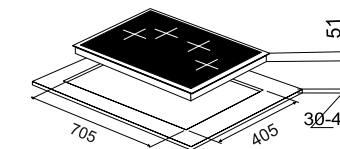


#### High Flame Brass Burner Metal Knob

Burner Type : 3.0kw/1.5kw/2.0kw/1.5kw  
V-shape Square cast iron pan support  
Drip Tray: Full-sealing stainless steel  
Battery Operated ignition  
Dimension:760\*450\*26mm  
Installation Cutting Size: 733\*423(4R1)

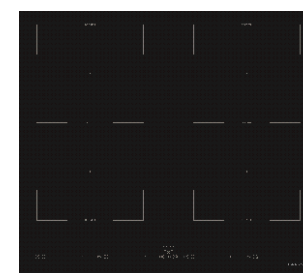
MRP ₹:  
75 cm: **19,490/-**

Size: 75 cm



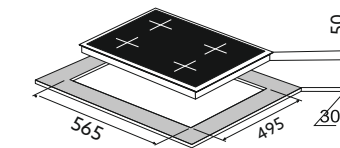
## Induction Hob

### Built-in Induction Hob (BIH-01)

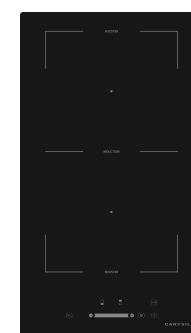


#### Residual heat indicator Child safety lock 9 power adjustment

7200W 220-240V/ 50-60 Hz  
LF: 2.2 kw/2.2kw, LR: 1.5 kw/2.2 kw  
RF: 2.2 kw/2.2 kw, RR: 1.5kw/ 2.2 kw  
Slight touch control  
1-99 minute timer  
Automatic adjust Cooking element to the size of the pan bottom  
Temp. setting range from 60 to 240 degrees C  
Product Dimension: 590 x 520 x 60 mm  
Cutout Dimension: 565 x 495 x 50 mm  
MRP ₹ : **50,990/-**

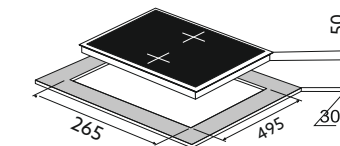


### Built-in Induction Hob (BIH-02)



#### Residual heat indicator Child safety lock 9 power adjustment

7200W 220-240V/ 50-60 Hz  
LF: 2.2 kw/2.2kw, LR: 1.5 kw/2.2 kw  
RF: 2.2 kw/2.2 kw, RR: 1.5kw/ 2.2 kw  
Slight touch control  
1-99 minute timer  
Automatic adjust Cooking element to the size of the pan bottom  
Temp. setting range from 60 to 240 degrees C  
Product Dimension: 290 x 520 x 60 mm  
Cutout Dimension: 265 x 495 x 50 mm  
MRP ₹ : **31,999/-**



## Cooktop

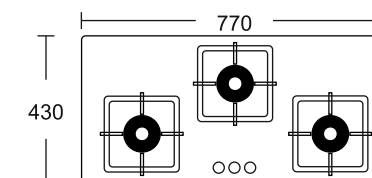
### Hornet 3



#### Top Knob Heavy Cast iron square pan support Forged burner

Knobs: Metal Knobs  
Body: Black  
Dimension: 770 x 430 mm  
Diptray: Black SS

MRP ₹ : **10,990/-**



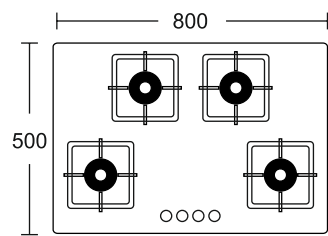
# Cooktops



## Hornet 4



**Top Knob**  
**Heavy Cast iron square pan support**  
**Forged burner**  
 Knobs: Metal Knobs  
 Body: Black  
 Dimension: 800 x 500 mm  
 Diptray: Black SS  
**MRP ₹: 12,490/-**

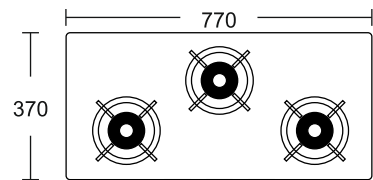


## Piano 3BR



**Cast Iron pan support,**  
**Designer ignition system**  
**Metal knob**  
**Heavy duty burner**  
 3 Burner (01 Super big,  
 01 Big, 01 Small )  
 Toughened glass & steel  
 optional battery ignition  
 Dimension: 770 x 370 mm

**MRP ₹: Non Auto: 9,290/-**  
**Auto : 10,290/-**

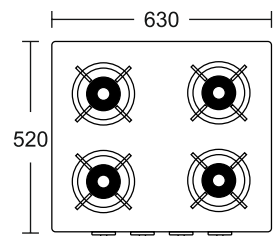


## Piano 4BR



**Cast Iron pan support,**  
**Designer ignition system**  
**Metal knob**  
**Heavy duty burner**  
 4 Burner (01 Super big,  
 01 Big, 02 Small )  
 Toughened glass & steel  
 optional battery ignition  
 Dimension: 630 x 520 mm

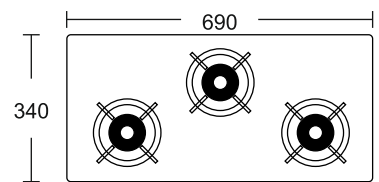
**MRP ₹: Non Auto: 11,890/-**  
**Auto : 13,090**



## Maple 3



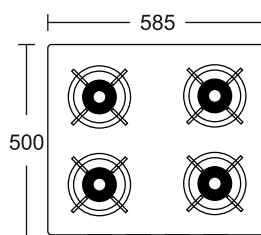
**3 Burner Cooktop**  
**Round Pan Support**  
**Burner: Brass**  
 Gas Valve: Brass  
 Body: Black SS  
 Dimension: 690 x 340 mm  
 Dip Tray: SS  
**MRP ₹: 7,790/-**



## Maple 4



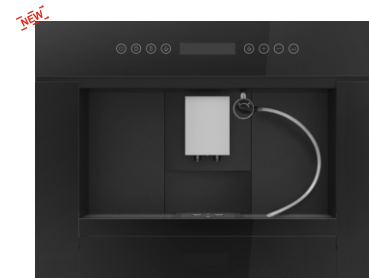
**4 Burner Cooktop**  
**Round Pan Support**  
**Burner: Brass**  
 Gas Valve: Brass  
 Body: Black SS  
 Dimension: 585 x 500 mm  
 Dip Tray: SS  
**MRP ₹: 8,790/-**



# Built-In Coffee Maker

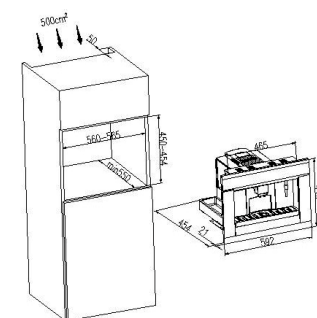


## Built-In Coffee Maker



**Built-in Automatic Machine with LCD Display**  
**1.8 L(Removable) Water Tank**  
 Coffee Strength: Mild, Normal, Strong  
 19bar Pump Max Pressure  
 30cc-240cc Adjustable Amount of Coffee  
 73-88° C Temperature  
 Touch button System

**MRP ₹: 1,59,990/-**





## Built-In Ovens



### Bio 03

## Built-In Ovens

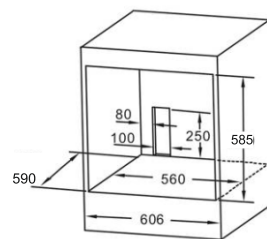
### Bio 01



**Triple layer Glass**  
**Child lock**  
**Easy clean Enamel Cavity**  
**Sensor touch control**

Shelf positions  
Forced air cooling system  
8 Cooking models  
Capacity : 65L  
1 Enamel Sliding baking tray & 1 Wire rack rotisserie  
Combination grid  
Telescopic shelf supports  
Cavity (W x D x H, mm): 487 x 450 x 350  
Product (W x D x H, mm): 560 x 590 x 585

**MRP ₹: 55,690/-**



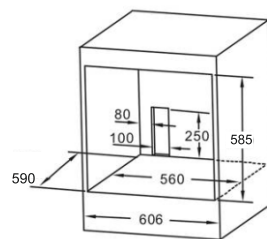
### Bio 02



**Triple layer Glass**  
**Child lock**  
**Easy clean Enamel Cavity**

5 Shelf positions  
Forced air cooling system  
Pop-out rotary knobs and push-buttons  
9 Cooking models  
Capacity : 65L  
01 Enamel Sliding baking tray & 01 Wire rack rotisserie  
Telescopic shelf supports  
Cavity (W x D x H, mm): 487 x 450 x 350  
Product (W x D x H, mm): 560 x 590 x 585

**MRP ₹: 49,490/-**



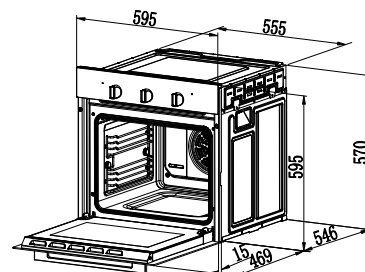
### Bio 03



**Fully Automatic**  
**A Energy Rating**  
**65L Capacity**  
**11 Function + Auto Cooking**

Black body+Black glass with inox strip+Triple layer glass door  
5.0" TFT touch control & auto menus  
Heat preservation & four glazed cool glass door  
Easy clean enamel cavity  
30-250° C temperature  
Dimension 595 x 595 x 570mm

**MRP ₹: 89,990/-**



## Built-In Microwaves



### MWO-3

## Built-In Microwaves

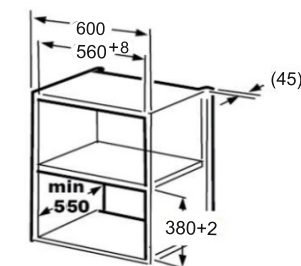
### MWO-1



**10 Cooking Menu**  
**Mircowave, Grill, Convection & Defrost**  
**Multi stage Cooking**

25 Liter  
Fully touch control panel  
SS cavity  
Large LED display  
product Dimension: 594 x 470 x 388 mm  
Carcase Dimension: 560 x 550 x 380 mm

**MRP ₹: 39,390/-**



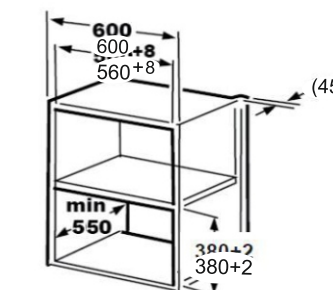
### MWO-2



**10 auto cooking menu**  
**Microwave, Grill & Convection**  
**Quick start & Cooking function**  
**Defrost by weight & time**

Multi stage cooking  
25 liter  
Soft button control  
SS cavity  
Large LED display  
Product Dimension 594 x 470 x 388 mm  
Carcase Dimension: 600 x 560 x 380 mm

**MRP ₹: 34,490/-**



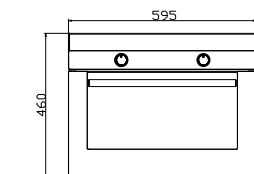
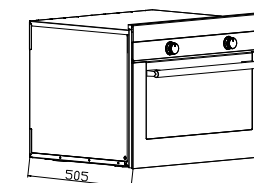
### MWO-3



**Fully Built-in**  
**Black glass with SS strip and Black Body**  
**TFT control Display**  
Stainless Steel cavity  
Microwave, Grill, Convection & Defrost Function  
Touch Screen Control Panel  
Child Lock

32ltr Capacity  
Smart inverter technology, smart recipes  
1 x combination grid and  
1 x enamel baking tray rotisserie  
Dimension: 595 x 455 x 505 mm

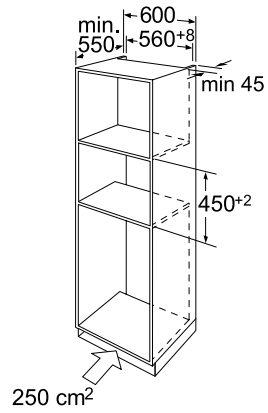
**MRP ₹: 69,990/-**



## MWO-4



**80 auto cooking menu**  
**Microwave, Steam, Grill & Convection**  
**Quick start & Cooking function**  
**Defrost by weight & time**  
 Multi stage cooking  
 34 liter  
 Tank Capacity: 1ltr  
 Soft button control  
 SS cavity  
 Large LED display  
 Product Dimension 595 x 525 x 454 mm  
 Carcase Dimension: 600 x 550 x 450 mm  
**MRP ₹: 79,990/-**



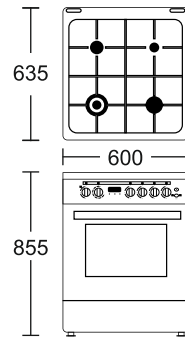
## Cooking Range

### FSCR 01



Made in EU

**4 burners (Sabaff - made in Italy) with FFD device**  
**62 ltr. gas oven cavities with FFD**  
**Cast iron pan support**  
 Full Stainless Steel Finish body  
 Double glass door  
 62 L gas oven capacity  
 04 burners (1 Triple ring burner, 1 big burner, 1 medium burner, 1 small burner)  
 Underknob auto ignition burner & ovens  
 01 deep tray + 01 oven grid + rotisserie  
 Digital reminder with LED display  
 Top glass lid, Timer function  
 Product Dimension: 600 x 635 x 855 mm  
**MRP ₹: 73,190/-**

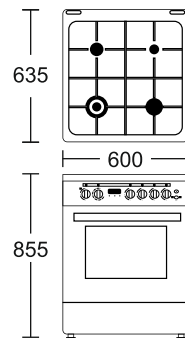


### FSCR 04



Made in EU

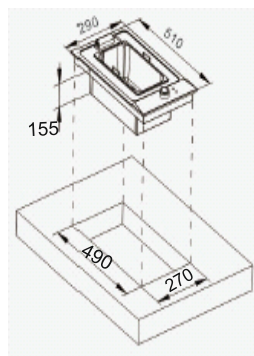
**Original italian sabaf burners**  
**Full Black Body**  
**Electric Oven**  
 Double glass door  
 62 L (Electric) oven capacity  
 04 burners (1 Triple ring burner, 1 big burner, 1 medium burner, 1 small burner)  
 Underknob auto ignition burner & ovens  
 01 deep tray + 01 oven grid + rotisserie  
 Enamled iron pan support  
 Product Dimension: 600 x 635 x 855 mm  
**MRP ₹: 54,990/-**



## Built-in Fryer



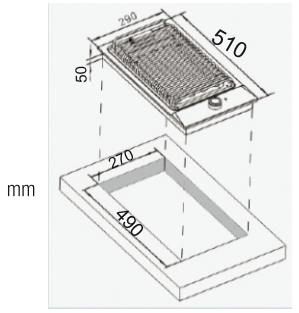
**SS body**  
**Easy to operate**  
 Size: 30 cm  
 Front Mechanical Control  
 S/S panel (S/S version)  
 removable S/S inner bowl & basket  
 Oil capacity: 3.0 liters  
 input power: 2.3 kw  
 Product size: 290 x 510 x 163 mm  
**MRP ₹: 34,990/-**



## Built-in Barbeque



**SS body**  
**Cast iron Pan support**  
**Easy to operate**  
 Size: 30 cm  
 Front Mechanical control  
 S/S Panel (S/S version)  
 Removable S/S inner pot  
 Energy regulator control  
 Lava Stone  
 input Power: 2.3 kw  
 Product size: 290 x 510 x 60 mm  
**MRP ₹: 29,290/-**

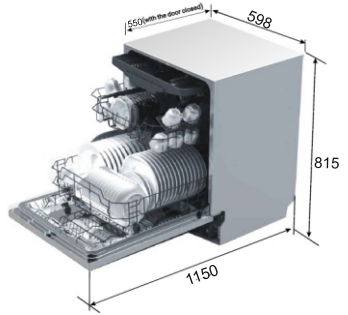


## Dish Washer

### DW-01



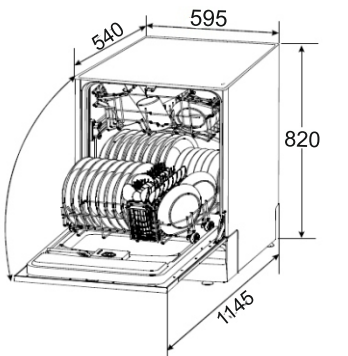
**A++ Energy class**  
**14 Place Setting**  
**Self cleaning filter system**  
 7 washing programs  
 3 basket levels, top sprayer, delay timer, half load  
 Electronic control with display  
 salt & rinse aid refill indicator  
 Detergent automation with sensor, Aqua stop  
 10 ltr. water consumption/cycle  
 44 DBA noise level  
 Product Dimension: 598 x 550 x 815 mm  
 Carcase Dimension: 600 x 580 x 820 mm  
**MRP ₹: 65,890/-**



### DW-02



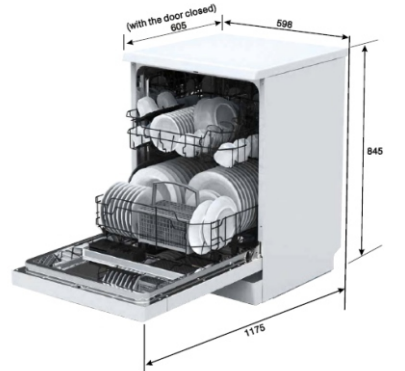
**A++ Energy class**  
**12 Place Setting**  
**Self cleaning filter system**  
 06 Washing programs  
 02 basket levels  
 Electronic control  
 Detergent automation with sensor  
 11 ltr. water consumption/cycle  
 3/6/9 Delay start, Half load function  
 49 DBA noise level  
 Product Dimension: 595 x 450 x 820 mm  
 Carcase Dimension: 600 x 580 x 825 mm  
**MRP ₹: 53,690/-**



### DW-03



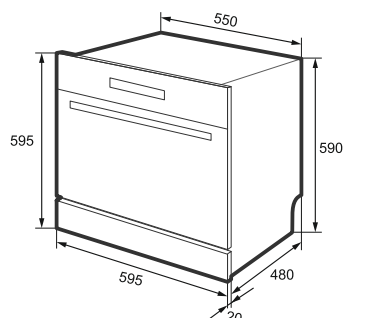
**Free Standing**  
**12 place setting**  
**Detergent automation with sensor**  
 06 Washing Programs  
 02 Basket levels  
 Child lock, half load  
 Electronic control with display  
 Salt & rinse aid refill indicator  
 Detergent automation with sensor  
 11 ltr. water consumption/cycle  
 49 DBA noise level  
 Product Dimension: 598 x 605 x 845 mm  
**MRP ₹: 58,590/-**



### DW-04



**Semi Built in**  
**08 place setting**  
**Detergent automation with sensor**  
 06 Washing Programs  
 02 Basket levels  
 Child lock  
 Electronic control with display  
 Salt & rinse aid refill indicator  
 8 ltr. water consumption/cycle  
 49 dB noise level  
 Product Dimension: 595 x 595 x 480 mm  
**MRP ₹: 35,990/-**

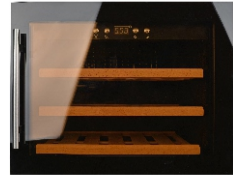




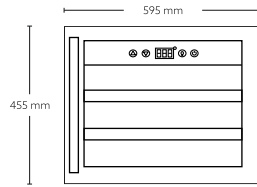


## Built-In Wine Chillers

### Built-in Wine Chiller



Built-in wine chiller  
 Black casing with glass door and wooden shelves  
 60 L / 18 bottles Capacity  
 LED display  
 5 - 20° temperature range  
 Compressor with direct cooling  
 0.5 KW / 24 hrs power consumption  
 Range of inside cabinet humidity: >60%RH  
 Product Range: 600 × 595 × 455 mm

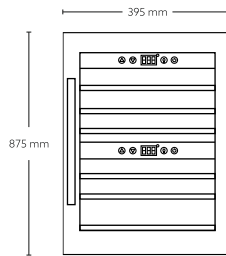


**MRP ₹: 63,990/-**

### CW 24 Bottle



Free Standing wine chiller  
 Black casing with transparent, panoramic door  
 80 L / 24 bottles Capacity  
 LED display  
 3-12° for white wine & 12-20° for red wine  
 Compressor with direct cooling  
 Range of inside cabinet humidity: >60%RH  
 Product Range: 545 × 395 × 875 mm

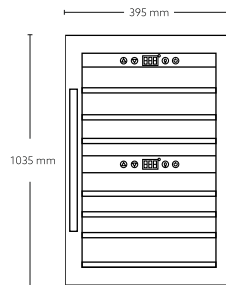


**MRP ₹: 53,990/-**

### CW 38 Bottle



Free Standing wine chiller  
 Black casing with transparent, panoramic door  
 125 L / 38 bottles Capacity  
 LED display  
 3-12° for white wine & 12-20° for red wine  
 Compressor with direct cooling  
 Range of inside cabinet humidity: >60%RH  
 Product Range: 630 × 395 × 1035 mm

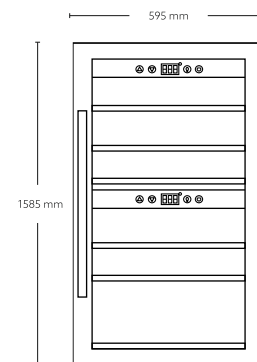


**MRP ₹: 64,190/-**

### CW 120 Bottle



Free Standing wine chiller  
 Black casing with transparent, panoramic door  
 350L / 120-140 bottles Capacity  
 LED display  
 3-12° for white wine & 12-20° for red wine  
 Compressor with direct cooling  
 Range of inside cabinet humidity: >60%RH  
 Product Range: 630 × 595 × 1585 mm



**MRP ₹: 1,10,990/-**

### Wine chiller-54



Free Standing wine chiller  
 Black casing with transparent, panoramic door  
 350L / 120-140 bottles Capacity  
 LED display  
 3-12° for white wine & 12-20° for red wine  
 Compressor with direct cooling  
 Range of inside cabinet humidity: >60%RH  
 Product Range: 630 × 595 × 1585 mm

**MRP ₹: 1,10,990/-**

## Built-In Refrigerator



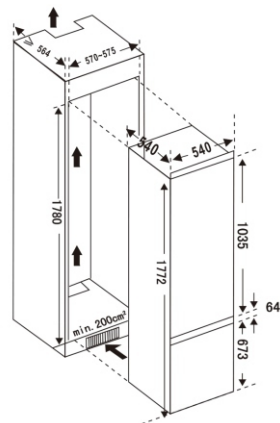
### Refrigerator



**Frost free Built in fridge**  
**Capacity:240L(R:183L F:57)**

- Easy-fit
- Low noise
- Mechanical temp. control
- Double door top fridge design
- Adjustable feet
- 4 tempered glass shelves in fridge
- 4 full width door rack on fridge door
- 1 vegetable crisper with glass cover
- 3 crystal drawers in freezer
- Ventilation for fridge
- Low frost for freezer
- Bigger drawer for easy-getting
- Dimension:540 X 540 X 1772mm
- Door Alarm features for save Energy
- Special design Bottle rack for store more water/beer or any kind of cold drinks bottles

**MRP ₹: 85,490/-**





# CARYSIL

Lifestyle Sinks & Built-in Appliances

## CARYSIL CONTACTS

### OFFICES

---

**Factory and Headquarters:**

Survey No.312, Bhavnagar-Rajkot  
Highway, Navagam, Vartej,  
Bhavnagar, Gujarat 364060, India  
T: +91 278 2540218 / 2540893  
F: +91-278-2540558  
M: info@carysil.com

**Registered Office:**

A-702, 7th Floor,  
Kanakia wall street,  
Chakala, Andheri Kurla Road,  
Andheri East, Mumbai- 400093  
T: +91 022 41902000 / 99

---

**Delhi office:**

Delhi Depot Office: B-1/E-22  
Mohan Co-operative INDL.  
Area, New Delhi - 110044  
Ph: 8588848958, 011-40524889

**Bangaluru:**

253/A, Mdr House,  
Jayanagar, 7th block,  
Kanakapura, Main Road,  
Bangalore - 560 070  
Ph. 7406088993

### EXPERIENCE CENTER

---

**Gurugram****Carysil LTD**

SCO 298 Sector - 29,  
Gurugram, Haryana - 122001

### SHOWROOM

---

**Mumbai**

Shop 43, Ground floor, Atria Mall  
Dr. Annie Besant Road, Opp.  
Poonam Chambers, Worli  
Mumbai - 400018  
Ph.: 8976919200

**Mumbai**

Gala No.31/M, Laxami Industrial Estate,  
The Shree Laxmi jyot industrial premises  
Co-Op. Society Ltd., New Link Road,  
Andheri(West), Mumbai - 400053  
T: 022 - 4970 4710

**Ahmedabad**

Stellar, 108 first floor,  
Sindhu bhavan marg,  
Bodakdev Ahmedabad,  
Gujarat 380054

**Bhavnagar**

G-2, Atlanta Building,  
Atabhai Road,  
Bhavnagar 364001  
T. 91-278- 2225553